

**NACHI**



*Compact Design  
10 kg Payload*

# **MZ10**

***10 kg payload with a compact body***

- *Achieved 10 kg payload with the same dimensions and workspace as MZ07*
- *Cables/hoses are stored neatly with a hollow wrist. Also the wrist torque is improved.*

## Specification

Robot type	<b>MZ10-01</b>	
Structure	Articulated robot	
Degree of Freedom	6	
Drive system	AC servo motor	
Maximum motion range	J1	±170°
	J2	±135~80°
	J3	-136~270°
	J4	±190°
	J5	±120°
	J6	±360°
Maximum Velocity <sup>5</sup>	J1	300°/s
	J2	250°/s
	J3	360°/s
	J4	450°/s
	J5	340°/s
	J6	700°/s
Maximum Payload	Wrist	10kg
Maximum Static load torque	J4	17.9N·m
	J5	17.9N·m
	J6	10.4N·m
Maximum Moment of inertia <sup>1</sup>	J4	0.47kg·m <sup>2</sup>
	J5	0.47kg·m <sup>2</sup>
	J6	0.15kg·m <sup>2</sup>
Position repeatability <sup>2</sup>	±0.03mm	
Maximum Reach	723mm	
Mounting Condition	Floor / Inverted	
Ambient Temperature <sup>3</sup>	0~45°C	
Ambient Humidity	20~85%RH (No dew, nor frost allowed)	
Protection class <sup>4</sup>	IP 67 equivalent (dust-proof, moisture-resistant)	
Robot weight <sup>6</sup>	36kg	

1(rad)=180/π(°), 1(N/m)=1/9.8(kgf/m)

※ Axis 1 - Axis 6 are displayed as J1-J6 each on the controller screen.

※ Specifications are subject to change without prior notice for technical changes.

※ Explosion-proof version is not available.

\*1: Depends on wrist load condition.

\*2: JIS B 8432 conformance.

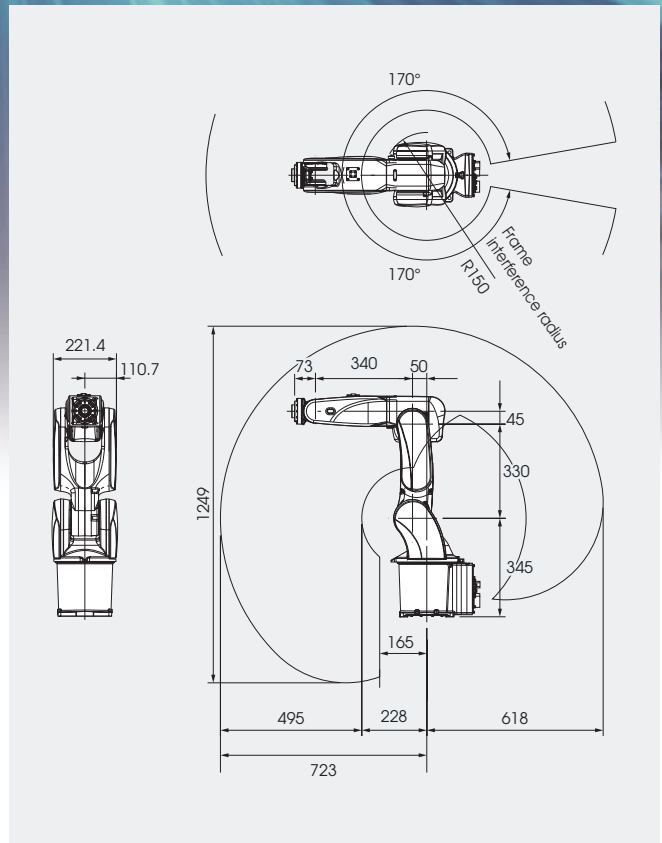
\*3: Using at 1000 m or lower sea level. Ambient temperature has limitations when allowable altitude is exceeded.

\*4: Prohibit in applications where liquids, such as, organic compound, acidity, alkalinity, chlorine, gasoline and/or cutting fluids. These could deteriorate sealing material.

\*5: The maximum velocity in the chart is the maximum value. It will change depending on the operation program and the wrist load condition.

\*6: Bottom Connection Type +8kg.

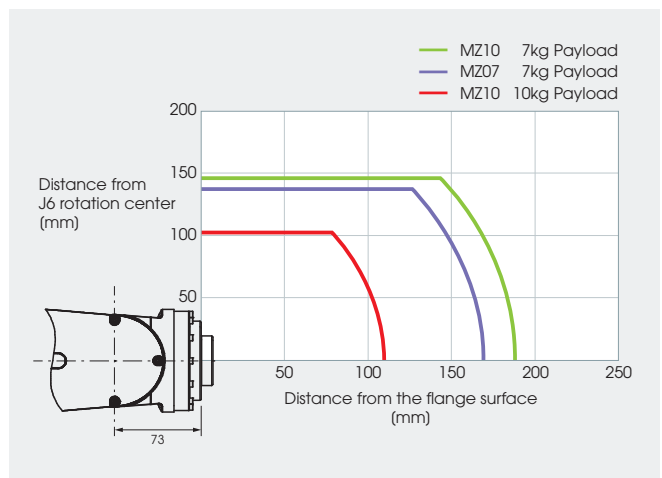
## Dimensions



## Spec comparison of MZ07 and MZ10

Item	Specification		
Robot type	MZ07-01	MZ10-01	
Maximum motion range	J1	±170°	
	J2	-135~80°	
	J3	-136~270°	
	J4	±190°	
	J5	±120°	
	J6	±360°	
Maximum Velocity	J1	450°/s	300°/s
	J2	380°/s	250°/s
	J3	520°/s	360°/s
	J4	550°/s	450°/s
	J5	550°/s	340°/s
	J6	1000°/s	700°/s
Maximum Payload	7 kg	10 kg	
Maximum Static load torque	J4	16.6 N·m	17.9 N·m
	J5	16.6 N·m	17.9 N·m
	J6	9.4 N·m	10.4 N·m
Position repeatability	±0.02 mm		±0.03 mm
Maximum Reach	723 mm		
Mounting Condition	Floor / Wall / Angle / Inverted		Floor / Inverted
Robot weight	36 kg		

## Load diagram comparison



**NACHI**  
NACHI-FUJIKOSHI CORP.

[www.nachi.com](http://www.nachi.com)

**Head Office** Shiodome Sumitomo Bldg. 17F, 1-9-2 Higashi-Shinbashi, Minato-ku, Tokyo 105-0021  
**Robot Division** 1-1-1 Fujikoshi-Honmachi, Toyama 930-8511, JAPAN

Tel: +81-(0)3-5568-5111  
Tel: +81-(0)76-456-2223

Fax: +81-(0)3-5568-5206  
Fax: +81-(0)76-493-5252

**NACHI ROBOTIC SYSTEMS INC.** Michigan, U.S.A.  
**NACHI AMERICA INC. HEADQUARTERS** Indiana, U.S.A.  
**NACHI CANADA INC.** CANADA  
**NACHI MEXICANA, S.A. DE C.V.** MEXICO  
**NACHI BRASIL LTDA.** BRASIL  
**NACHI EUROPE GmbH** GERMANY  
**NACHI TECHNOLOGY (THAILAND) CO., LTD.** THAILAND  
**NACHI SINGAPORE PTE. LTD.** SINGAPORE  
**PT.NACHI INDONESIA** INDONESIA  
**NACHI TECHNOLOGY INDIA PVT. LTD.** INDIA  
**NACHI-FUJIKOSHI (CHINA) CO., LTD.** CHINA

Tel: +1-248-305-6545  
Tel: +1-317-530-1001  
Tel: +1-905-660-0088  
Tel: +52-442-153-2424  
Tel: +55-11-4793-8800  
Tel: +49-(0)2151-65046-0  
Tel: +66(38)961679  
Tel: +65-65587393  
Tel: +62-21-527-2841  
Tel: +91-(0)14-9467-1300  
Tel: +86-(0)21-6915-2200

Fax: +1-248-305-6542  
Fax: +1-317-530-1011  
Fax: +1-905-660-1146  
Fax: +52-442-153-2435  
Fax: +55-11-4793-8870  
Fax: +49-(0)2151-65046-90  
Fax: +66(38)961683  
Fax: +65-65587371  
Fax: +62-21-527-3029  
Fax: +91-(0)14-9467-1310  
Fax: +86-(0)21-6915-5427

<http://www.nachirobotics.com>  
<http://www.nachiamerica.com/>  
<http://www.nachicanada.com/>  
<http://www.nachi.com.mx/>  
<http://www.nachi.com.br/>  
<http://www.nachi.de/>  
<http://www.nachi.com.th/>  
<http://www.nachinip.com.sg/>  
<http://www.nachi.co.id/>  
<https://www.nachi.com.cn/>

●The specifications are subject to changes without notice.

●In case that an end user uses this product for military purpose or production of weapon, this product may be liable for the subject of export restriction stipulated in the Foreign Exchange and Foreign Trade Act. Please go through careful investigation and necessary formalities for export.

**CATALOG NO. R7707E**

2019.07.V-ABE-ABE