

Film lapping system - High precision & efficiency for shaft surface

POWER FINISHER

TF-4H

POWER FINISHER

High efficiency production and compact

- Feed part to machine continuously
- Achieve to improve productivity
- Saving space

Improvement of precision machining

To achieve high-accuracy by

- Polishing film
- 4 step lapping head
- 4 level lapping by each grain size film

Improvement of flexibility

Automatic change over

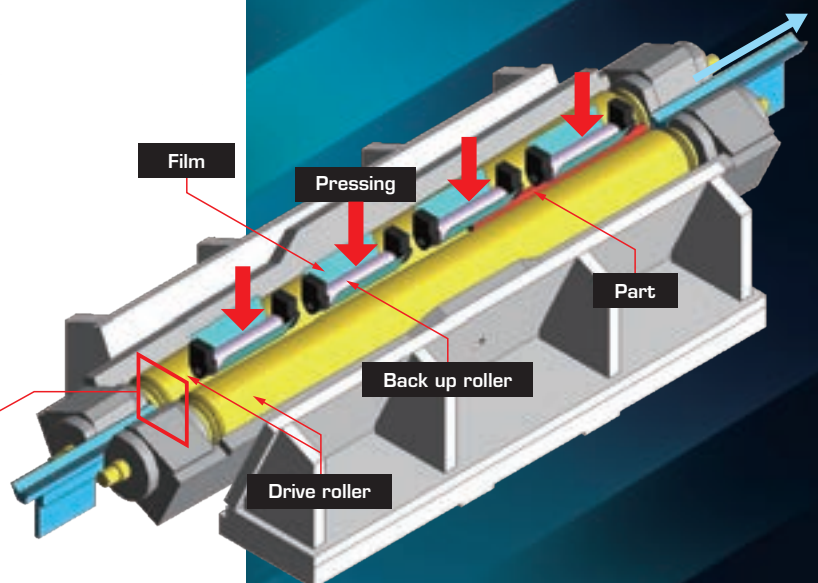
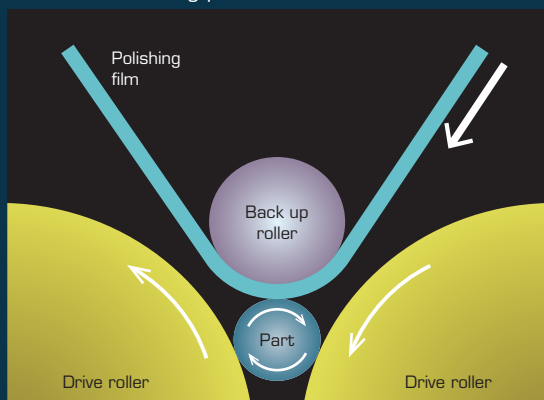
- Drive roller pitch
- Back up roller position (height)



Machine inside



Detail of machining part



Plateau Surface

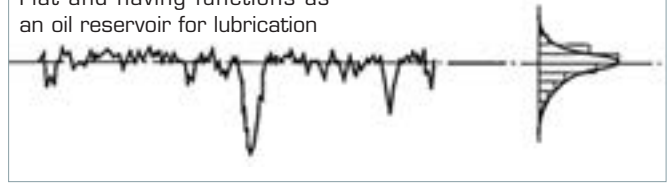
Achieve ideal surface is flat and having functions as an oil reservoir for lubrication

Grinding



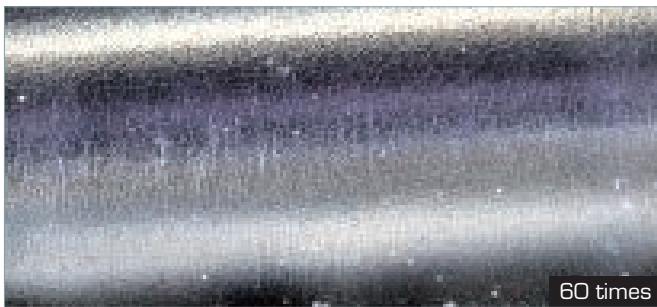
Film lapping

Achieve ideal surface
Flat and having functions as
an oil reservoir for lubrication



Part surface

Before Ra 0.08μm



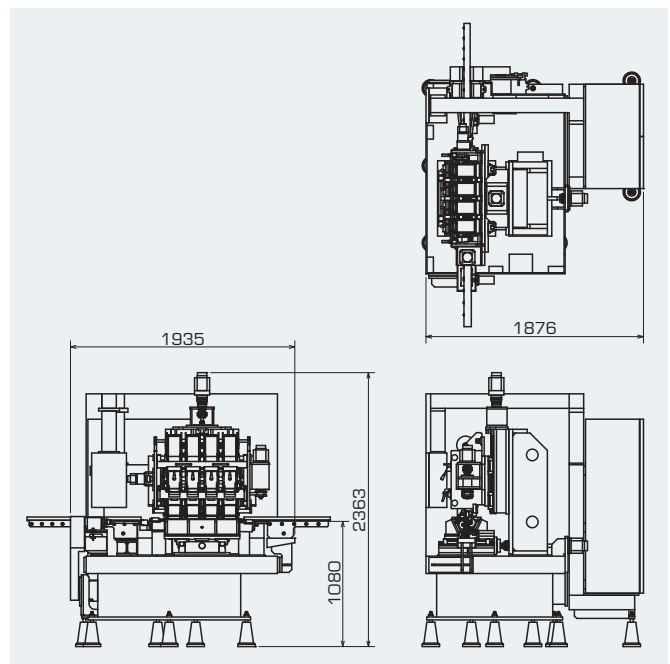
After Ra 0.04μm



Machine specification

Part (Plating shaft)	Outer dia:φ10~
	Full length:150~550mm
Part loading speed (Outer dia φ22mm) Cycle time (ref.)	MAX121mm sec (Part rpm 5000) About 5sec. (Work length 240mm)
No. of heads	4sets
Coolant	Oil-based
Coolant filtration system	1st : Paper filter
	2nd : Bag filter
Floor layout	Width x Depth: 1935 x 1876 mm
	Height: 2363mm
Treatment of used film	Roll-up above lapping heads

Machine size (outline)



NACHI
NACHI-FUJIKOSHI CORP.

This product corresponds to COCOM list on Foreign Exchange and Foreign Trade Act
In case of export to outside of Japan, it's required the expoting permission from japanese government

<http://www.nachi.com>

Head Office	Shiodome Sumitomo Bldg. 17F, 1-9-2 Higashi-Shinbashi, Minato-ku, Tokyo 105-0021 Tel: +81-(0)3-5568-5246			
Toyama Plant	1-1-1 Fujikoshi-Honmachi, Toyama 930-8511 Tel: +81-(0)76-423-5111			
NACHI AMERICA INC. HEAD QUARTERS	715 Pushville Road, Greenwood, Indiana, 46143, U.S.A.	Tel: +1-317-530-1001	Fax: +1-317-530-1011	www.nachi-america.com
NACHI EUROPE GmbH	Bischofstrasse 99, 47809, Krefeld, GERMANY	Tel: +49-(0)2151-65046-0	Fax: +49-(0)2151-65046-90	www.nachi.de
NACHI SINGAPORE PTE. LTD.	No.2 Joo Koon Way, Jurong Town, Singapore 628943, SINGAPORE	Tel: +65-65587393	Fax: +65-65587371	www.nachinip.com.sg
NACHI TECHNOLOGY (THAILAND) CO., LTD. BANGKOK SALES OFFICE	Unit 23/109(A), Fl.24th Sorachai Bldg., Sukhumvit 63 Road(Ekamail), Klongtonnua, Wattana, Bangkok 10110, THAILAND	Tel: +66-2-714-0008	Fax: +66-2-714-0740	www.nachi.co.th
NACHI-FUJIKOSHI (CHINA) CO., LTD.	5F, Building A, 1988 Zhuguang Road, Quingpu District, Shanghai, 201702, CHINA	Tel: +86-(0)21-6915-2200	Fax: +86-(0)21-6915-5427	www.nachi.com.cn/

All information in this catalog is based on in-house measurements. This information is not guaranteed for all conditions.
Improvements to ratings or outer appearance may result in unannounced changes.

CATALOG NO. M6384E

2020.04.V-ABE-ABE