

Clean Master

Vacuum Degreasing Equipment
Clean Master

Clean Master

In and Out type

NVD-10E
NVD-10G
NVD-6E
NVD-6G

Single door for moving tray in and out.
Suitable for batch operations, on a line or as a stand-alone installation, that use self-propelled carts.



**Specialized equipment
(pit type)**

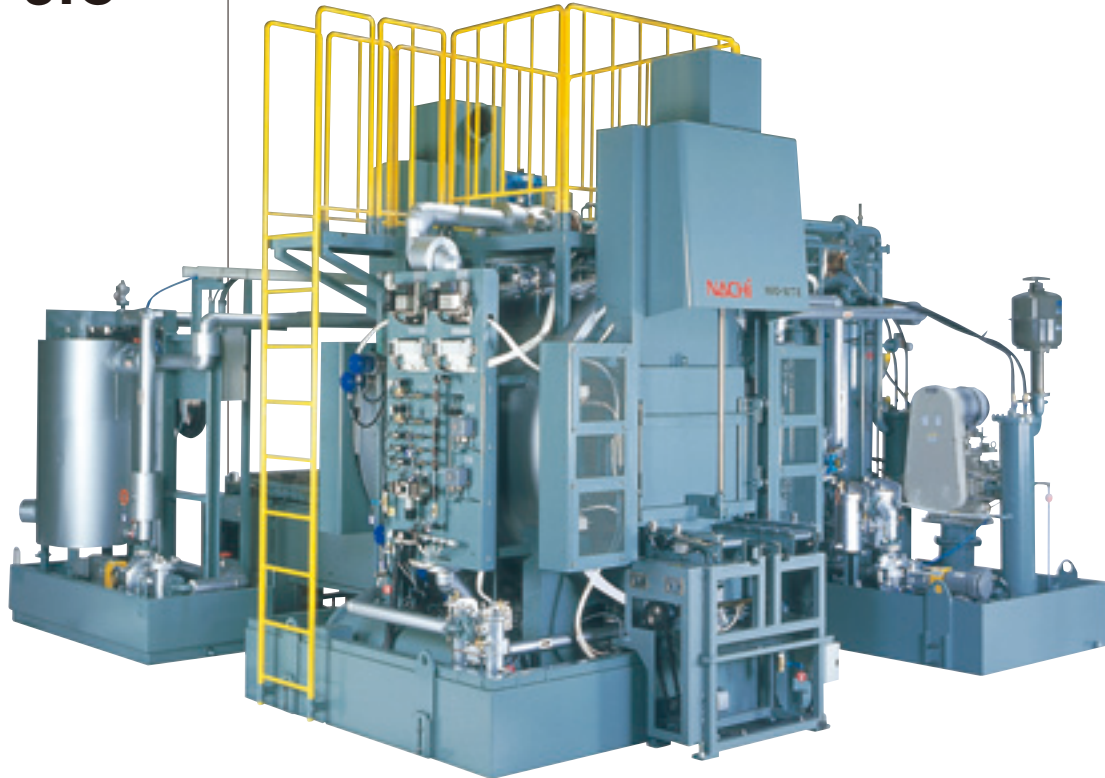
We can manufacture pit type equipment with custom designed effective dimensions and layouts.



Straight-through type

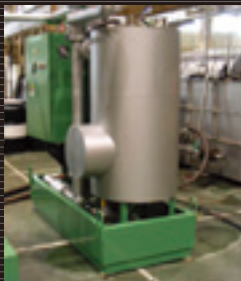
NVD-10TE
NVD-10TG
NVD-6TE
NVD-6TG

This model is equipped with two doors. (front door and rear door)
 Perfect for lines that run work pieces on conveyors between equipment.
 It can also be used in an in-and-out configuration. (Option)



Heat source

Options



Model number suffix: E
 Electric heater model



Model number suffix: G
 Gas boiler model

Types of gas

13A
 Propane
 Butane



Conveyor table (loading/unloading)

- Claw type transfer
- Claw type transfer + chain conveyor
- Claw type transfer + chain conveyor + hoist

Supports various transfer modes such as moving two small trays at the same time.



Chain guide

Compatible with self-propelled carts used for heat treatment lines produced by various manufactures.



Neutralizer dispenser equipment

Chlorine-based additives in the residual solvent, left after washing is done before heat treatment, can cause corrosion in equipment. This device prevents corrosion by automatically injecting a set amount of neutralizer each washing cycle.

Clean Master Swift

Clean Master Swift is a short cycling straight through type system

SNVD-6LTE
SNVD-6LTG

Straight through type /20 minute cycle
Perfect for short cycling continuous operations.



Main specifications for standard equipment

Model		NVD-6E NVD-6TE	NVD-10E NVD-10TE	SNVD-6LTE
Effective dimensions	WxLxH(mm)	610×950×610	760×1220×760	660×1220×650
Maximum capacity	Kg/gross	600	1000	600
Cycle time	Minutes	30	30	20
Solvent volume (grade 3 oil)	L	1900	1900	1600
Thermal oil	L	500	500	600
Electric power 3φ 200 V	kW	75	75	95
Cooling water	L/minute	140	140	200
Supply pressure 0.1 to 0.15 MPaG, 32°C or lower				
Nitrogen gas	Supply pressure 0.4 to 0.5 MPaG (maximum instantaneous flow is 80 Nm ³ /h)			
Compressed air	Supply pressure 0.4 to 0.5 MPaG (maximum instantaneous flow is 0.2 Nm ³ /h)			

Note 1: Electric power consumption noted above is for electrically heated thermal oil.

Note 2: Washing time may vary depending on the shape of the work piece.

Note 3: Height of effective dimensions may vary depending on the shape of the loading claw.

The Ultimate in Washing Before and After Heat Treatment

Important issues involved in washing for heat treatment...

Reduce running costs

The Clean Master has...

Single charge solvent consumption of 0.2 liters on average, total running costs are less than 1/3 of trichloroethylene.

Decrease solvent control work

The Clean Master has...

Specialized distiller and washing chamber that boast 200 L/H distilling performance to prevent solvent from getting dirty and maintain cleaning quality during continuous operations. Solvent does not need to be changed periodically.

Taking care of environmental problems

The Clean Master has...

Compliance with air pollution prevention laws, soil pollution control laws and PRTR regulations.



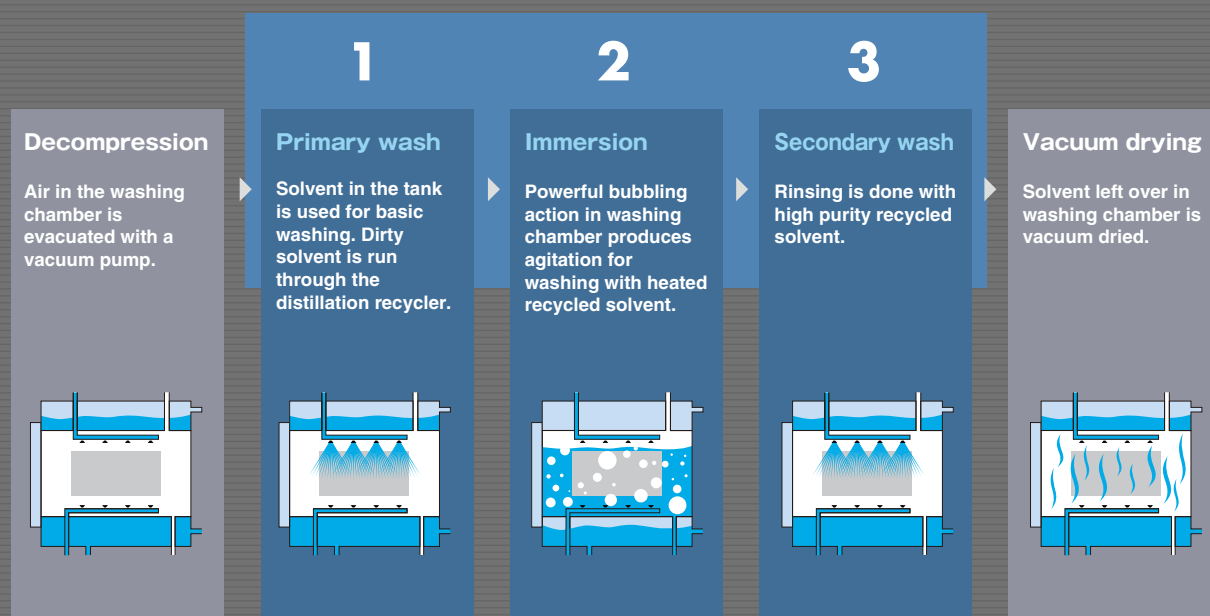
Nachi-Fujikoshi's proprietary triple washing process maximizes highly effective washing with an immersion process.

Solvent effectiveness is taken to the ultimate limit through a high-performance distillation recycler.

1. After the primary wash for basic cleaning dirty solvent is isolated and distilled so that the solvent in the tank is not contaminated.
2. During the immersion process the work piece cannot move, so the solvent moves. There are no moving parts in the washing chamber for greater safety.
3. Nitrogen is used for bubbling to create vigorous agitation in the washing chamber during immersion.
4. Solvent that has just been cleaned in the distillation recycler is used for the secondary wash.
5. Solvent tanks are located outside the washing chamber so the washing chamber temperatures are kept high for superior drying.

※ This equipment is designed to use hydrocarbon based solvent, which is JIS grade 3 oil, for washing.
Contact our sales representative for information on the available solvents.

Triple Washing



Clean Master

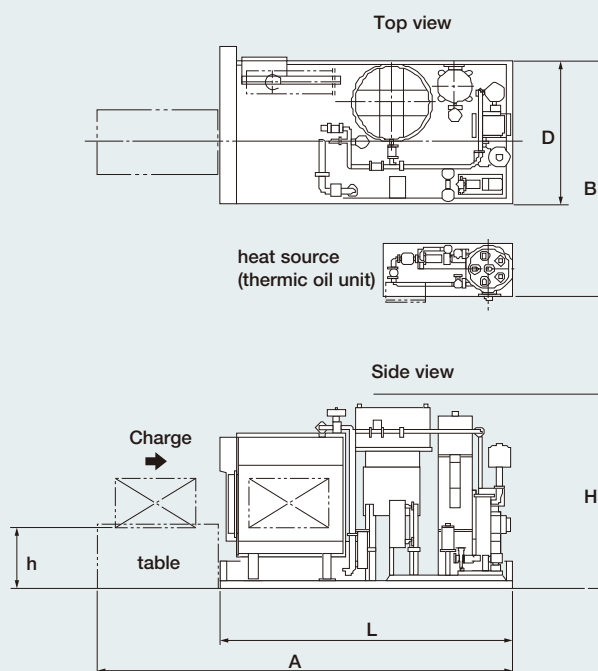
Exterior dimensions

In and out type

	NVD-6E	NVD-10E	(mm)
L	4350	4350	
D	2200	2200	
H	3000	3000	
A	6200	6200	
B	3620	3620	
h	1000	1000	

Heat source: Electric heater model

Dimensions for gas boiler models provided upon request.

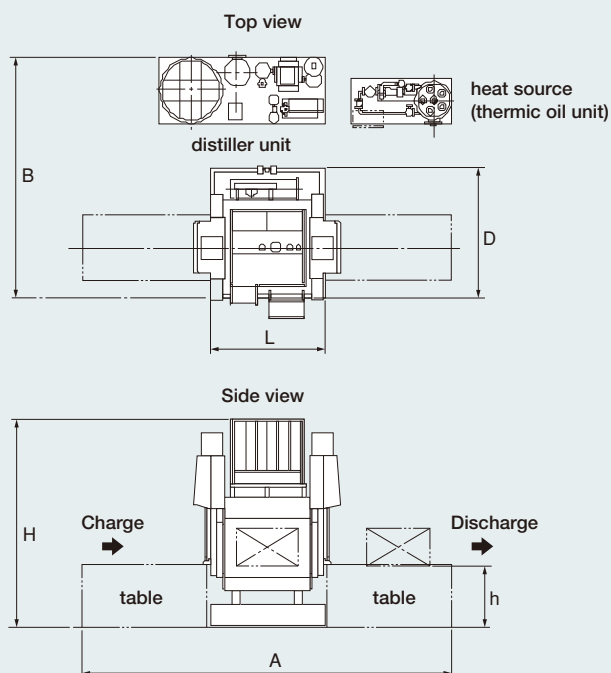


Straight through type

	NVD-6TE	NVD-10TE	SNVD-6LTE	(mm)
L	2200	2200	2250	
D	2400	2400	2500	
H	3800	3800	3800	
A	7000	7000	7000	
B	4400	4400	5000	
h	1100	1100	1100	

Heat source: Electric heater model

Dimensions for gas boiler models provided upon request.



NACHI NACHI-FUJIKOSHI CORP.

Tokyo Head Office: Shiodome Sumitomo Bldg. 17F, 1-9-2 Higashi-shinbashi, Minato-ku, Tokyo 105-0021, Japan

Tel: +81-(0)3-5568-5111 Fax: +81-(0)3-5568-5236

Toyama Head Office: 1-1-1 Fujikoshi-Honmachi, Toyama 930-8511, Japan

Tel: +81-(0)76-423-5111 Fax: +81-(0)76-493-5211

Clean Thermo - Tech Div. Tel: +81-(0)76-471-2981 Fax: +81-(0)76-471-2988

International Trade Div. Tel: +81-(0)3-5568-5240 Fax: +81-(0)3-5568-5236

Eastern Japan Main Branch Tel: +81-(0)3-5568-5287 Fax: +81-(0)3-5568-5292

●For engineering questions contact Clean & Thermo-Tech Div. at 176-12

Ogake, Namerikawa-shi, Toyama 936-0802, Japan

Tel: +81-(0)76-471-2981 Fax: +81-(0)76-471-2988

E-Mail: cthinfo@nachi-fujikoshi.co.jp

Specifications and configurations may change due to product developments without prior notice.

CATALOG NO.

F5801E

2008.05.Y-MIZUNO