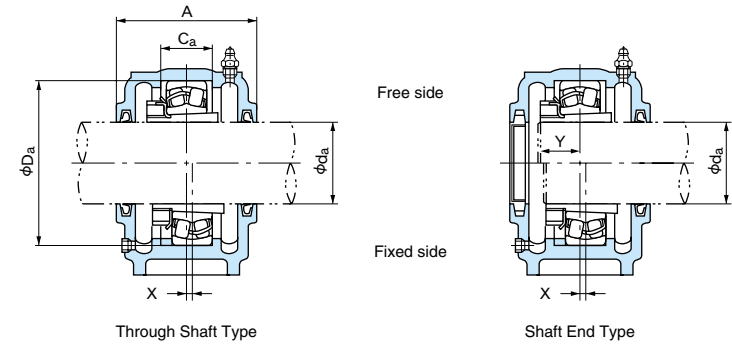
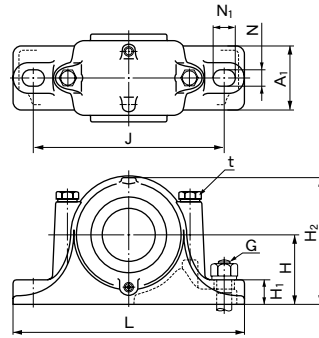


Plummer Block Housings

SN5, SN6, SN30, SN31 Series

for Bearing with Adapter Sleeve

Shaft Diameter : 20 ~ 60mm



1N=0.102kgf

Shaft dia. da (mm)	Dimensions (mm)													Mass (kg) (Reference)	Designations		Applicable parts						
	Da (H8)	H (h13)	J	N	N1	A	L	A1	H1	H2	Ca (H13)	G (Nominal)	t (Nominal Reference)		Through Shaft Type	Shaft End Type	Self-aligning ball bearings	Spherical roller bearings	Adapter sleeve	Oil seal	Locating ring		Y (Reference)
																				Designation	Q'ty		
20	52	40	130	15	20	67	165	46	22	75	25	M12	M 8	1.1	SN505	SN505E	1205K 2205K	— 22205EXK	H205X H305X	GS 5	SR52×5 SR52×7	2 1	17 19
	62	50	150	15	20	80	185	52	22	90	34	M12	M 8	1.6	SN605	SN605E	1305K 2305K	— 21305EK	H305X H2305X	GS 5	SR62×8.5 SR62×10	2 1	18 22
25	62	50	150	15	20	77	185	52	22	90	30	M12	M 8	1.7	SN506	SN506E	1206K 2206K	— 22206EXK	H206X H306X	GS 6	SR62×7 SR62×10	2 1	18 20
	72	50	150	15	20	82	185	52	22	95	37	M12	M10	1.8	SN606	SN606E	1306K 2306K	— 21306EK	H306X H2306X	GS 6	SR72×9 SR72×10	2 1	19 23
30	72	50	150	15	20	82	185	52	22	95	33	M12	M10	1.9	SN507	SN507E	1207K 2207K	— 22207EXK	H207X H307X	GS 7	SR72×8 SR72×10	2 1	19 22
	80	60	170	15	20	90	205	60	25	110	41	M12	M10	2.6	SN607	SN607E	1307K 2307K	— 21307EK	H307X H2307X	GS 7	SR80×10 SR80×10	2 1	21 26
35	80	60	170	15	20	85	205	60	25	110	33	M12	M10	2.6	SN508	SN508E	1208K 2208K	— 22208EXK	H208X H308X	GS 8	SR80×7.5 SR80×10	2 1	21 23
	90	60	170	15	20	95	205	60	25	115	43	M12	M10	2.9	SN608	SN608E	1308K 2308K	— 21308EK	H308X H2308X	GS 8	SR90×10 SR90×10	2 1	23 28
40	85	60	170	15	20	85	205	60	25	112	31	M12	M10	2.8	SN509	SN509E	1209K 2209K	— 22209EXK	H209X H309X	GS 9	SR85×6 SR85×8	2 1	22 24
	100	70	210	18	23	105	255	70	28	130	46	M16	M12	4.1	SN609	SN609E	1309K 2309K	— 21309EK	H309X H2309X	GS 9	SR100×10.5 SR100×10	2 1	25 31
45	90	60	170	15	20	90	205	60	25	115	33	M12	M10	3.0	SN510	SN510E	1210K 2210K	— 22210EXK	H210X H310X	GS10	SR90×6.5 SR90×10	2 1	24 25
	110	70	210	18	23	115	255	70	30	135	50	M16	M12	4.7	SN610	SN610E	1310K 2310K	— 21310EK	H310X H2310X	GS10	SR110×11.5 SR110×10	2 1	27 34
50	100	70	210	18	23	95	255	70	28	130	33	M16	M12	4.5	SN511	SN511E	1211K 2211K	— 22211EXK	H211X H311X	GS11	SR100×6 SR100×8	2 1	25 27
	120	80	230	18	23	120	275	80	30	150	53	M16	M12	5.8	SN611	SN611E	1311K 2311K	— 21311EK	H311X H2311X	GS11	SR120×12 SR120×10	2 1	29 36
55	110	70	210	18	23	105	255	70	30	135	38	M16	M12	5.0	SN512	SN512E	1212K 2212K	— 22212EXK	H212X H312X	GS12	SR110×8 SR110×10	2 1	26 29
	130	80	230	18	23	125	280	80	30	155	56	M16	M12	6.5	SN612	SN612E	1312K 2312K	— 21312EK	H312X H2312X	GS12	SR130×12.5 SR130×10	2 1	31 39
60	120	80	230	18	23	110	275	80	30	150	43	M16	M12	5.6	SN513	SN513E	1213K 2213K	— 22213EXK	H213X H313X	GS13	SR120×10 SR120×12	2 1	28 32
	140	95	260	22	27	130	315	90	32	175	58	M20	M16	8.7	SN613	SN613E	1313K 2313K	— 21313EK	H313X H2313X	GS13	SR140×12.5 SR140×10	2 1	33 40

Remarks (1): Plummer block housings are housings with oil seals, a plug and a grease nipple only.

To make a complete unit, please order the corresponding bearing, adapter sleeve and locating rings shown in the table additionally.

(2): The masses in the table do not include the bearing, adapter sleeve and locating rings but the bolts.

(3): H8, H13 and h13 in the table means tolerance classes specified in JIS B 0401.

(4): The tolerance of locating ring O.D. is h12, and 0 ~ -0.2 for the width.

(5): When one locating ring is used for fixed-end, the offset (X dimension) of bearing center from the center of the plummer block housing is a half of the locating ring width.

(6): The threads for plugs are PT1/8. SN505 does not have a drain hole.

(7): ZF type oil seals are also available instead of GS type seals.

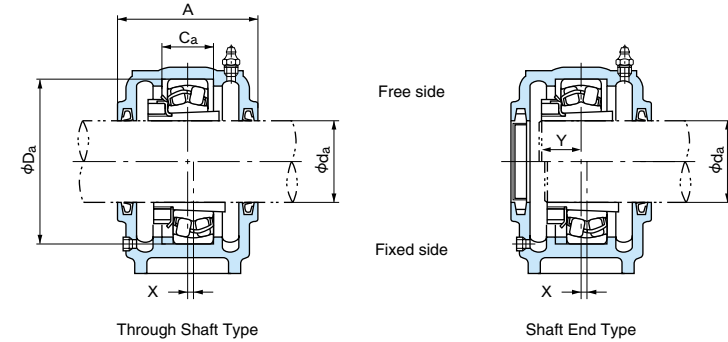
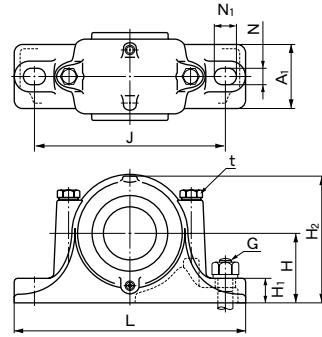
(8): The dimension Y indicates the distance from the bearing center to the outer side face of the nut.

**Plummer Block Housings**

SN5, SN6, SN30, SN31 Series

for Bearing with Adapter Sleeve

Shaft Diameter : 65 ~ 100mm



1N=0.102kgf

Shaft dia. d <sub>a</sub> (mm)	Dimensions (mm)												Mass (kg) (Reference)	Designations		Applicable parts							
	D <sub>a</sub> (H8)	H (h13)	J	N	N <sub>1</sub>	A	L	A <sub>1</sub>	H <sub>1</sub>	H <sub>2</sub>	C <sub>a</sub> (H13)	G (Nominal)		t (Nominal) (Reference)	Through Shaft Type	Shaft End Type	Self-aligning ball bearings	Spherical roller bearings	Adapter sleeve	Oil seal	Locating ring		Y (Reference)
																				Designation	Q'ty		
65	130	80	230	18	23	115	280	80	30	155	41	M16	M12	7.0	SN515	SN515E	1215K 2215K	— 22215EXK	H215X H315X	GS15	SR130×8 SR130×10	2 1	30 33
	160	100	290	22	27	140	345	100	35	195	65	M20	M16	11	SN615	SN615E	1315K 2315K	21315EK 22315EXK	H315X H2315X	GS15	SR160×14 SR160×10	2 1	36 45
70	140	95	260	22	27	120	315	90	32	175	43	M20	M16	9.0	SN516	SN516E	1216K 2216K	— 22216EXK	H216X H316X	GS16	SR140×8.5 SR140×10	2 1	32 36
	170	112	290	22	27	145	345	100	35	212	68	M20	M16	13	SN616	SN616E	1316K 2316K	21316EK 22316EXK	H316X H2316X	GS16	SR170×14.5 SR170×10	2 1	39 48
75	150	95	260	22	27	125	320	90	32	185	46	M20	M16	10	SN517	SN517E	1217K 2217K	— 22217EXK	H217X H317X	GS17	SR150×9 SR150×10	2 1	34 38
	180	112	320	26	32	155	380	110	40	223	70	M24	M20	15	SN617	SN617E	1317K 2317K	21317EK 22317EXK	H317X H2317X	GS17	SR180×14.5 SR180×10	2 1	41 50
80	160	100	290	22	27	145	345	100	35	195	62.4	M20	M16	13	SN518	SN518E	1218K 2218K	— 22218EXK	H218X H318X	GS18	SR160×16.2 SR160×11.2	2 2	35 40
	190	112	320	26	32	160	380	110	40	230	74	M24	M20	19	SN618	SN618E	1318K 2318K	21318EK 22318EXK	H318X H2318X	GS18	SR190×15.5 SR190×10	2 1	42 52
85	170	112	290	22	27	140	345	100	35	210	53	M20	M16	15	SN519	SN519E	1219K 2219K	— 22219EXK	H219X H319X	GS19	SR170×10.5 SR170×10	2 1	37 43
	200	125	350	26	32	170	410	120	45	250	77	M24	M20	22	SN619	SN619E	1319K 2319K	21319EK 22319EXK	H319X H2319X	GS19	SR200×16 SR200×10	2 1	44 55
90	180	112	320	26	32	160	380	110	40	218	70.3	M24	M20	19	SN520	SN520E	1220K 2220K	— 22220EXK	H220X H320X	GS20	SR180×18.1 SR180×12.1	2 2	39 45
	215	140	350	26	32	175	410	120	45	270	83	M24	M20	25	SN620	SN620E	1320K 2320K	21320EK 22320EXK	H320X H2320X	GS20	SR180×10 SR215×18 SR215×10	2 1 1	46 59 59
100	180	112	320	26	32	155	380	110	40	223	66	M24	M20	18	SN3122	SN3122E	—	23122EK	H3122X	GS22	SR180×10	1	51
	200	125	350	26	32	175	410	120	45	240	80	M24	M20	20	SN522	SN522E	1222K 2222K	— 22222EXK	H222X H322X	GS22	SR200×21 SR200×13.5	2 2	42 50
	240	150	390	28	36	190	450	130	50	300	90	M24	M24	32	SN622	SN622E	1322K 2322K	21322EK 22322EXK	H322X H2322X	GS22	SR200×10 SR240×20 SR240×10	2 2 1	58 48 63

- Remarks (1): Plummer block housings are housings with oil seals, a plug and a grease nipple only.  
To make a complete unit, please order the corresponding bearing, adapter sleeve and locating rings shown in the table additionally.  
(2): The masses in the table do not include the bearing, adapter sleeve and locating rings but the bolts.  
(3): H8, H13 and h13 in the table means tolerance classes specified in JIS B 0401.  
(4): The tolerance of locating ring O.D. is h12, and 0 ~ -0.2 for the width.

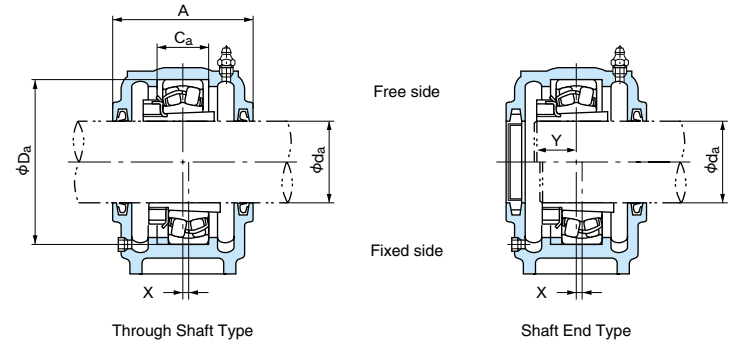
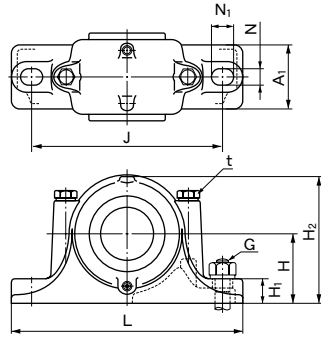
- (5): Plummer block housings SN3028, SN3126, SN524, SN620 and larger are provided with eye bolts.  
(6): When one locating ring is used for fixed-end, the offset (X dimension) of bearing center from the center of the plummer block housing is a half of the locating ring width.  
(7): The threads for plugs are PT1/8 for SN519, SN616 and smaller, and PT1/4 for the others.  
(8): ZF type oil seals are also available instead of GS type seals.  
(9): The dimension Y indicates the distance from the bearing center to the outer side face of the nut.

**Plummer Block Housings**

SN5, SN6, SN30, SN31 Series

for Bearing with Adapter Sleeve

Shaft Diameter : 110 ~ 170mm



1N=0.102kgf

Shaft dia. d <sub>a</sub> (mm)	Dimensions (mm)													Mass (kg) (Reference)	Designations		Applicable parts						
	D <sub>a</sub> (H8)	H (h13)	J	N	N <sub>1</sub>	A	L	A <sub>1</sub>	H <sub>1</sub>	H <sub>2</sub>	C <sub>a</sub> (H13)	G (Nominal)	t (Nominal Reference)		Through Shaft Type	Shaft End Type	Spherical roller bearings	Adapter sleeve	Oil seal	Locating ring		Y (Reference)	
																			Designation	Q'ty			
110	180	112	320	26	32	150	380	110	40	223	56	M24	M20	SN3024	SN3024E	23024EK	H3024X	GS24	SR180×10	1	47		
	200	125	350	26	32	165	410	120	45	245	72	M24	M20	SN3124	SN3124E	23124EK	H3124X	GS24	SR200×10	1	55		
	215	140	350	26	32	185	410	120	45	270	86	M24	M20	SN524	SN524E	22224EXK 23224EK	H3124X H2324X	GS24	SR215×14 SR215×10	2 1	53 62		
	260	160	450	33	42	200	530	160	60	320	96	M30	M24	SN624	SN624E	22324EK	H2324X	GS24	SR260×10	1	67		
115	200	125	350	26	32	160	410	120	45	245	62	M24	M20	SN3026	SN3026E	23026EK	H3026	GS26	SR200×10	1	51		
	210	140	350	26	32	170	410	120	45	270	74	M24	M20	SN3126	SN3126E	23126EK	H3126	GS26	SR210×10	1	57		
	230	150	380	28	36	190	445	130	50	290	90	M24	M24	SN526	SN526E	22226EXK 23226EK	H3126 H2326	GS26	SR230×13 SR230×10	2 1	57 65		
	280	170	470	33	42	210	550	160	60	340	103	M30	M24	SN626	SN626E	22326EK	H2326	GS26	SR280×10	1	72		
125	210	140	350	26	32	170	410	120	45	270	63	M24	M20	SN3028	SN3028E	23028EK	H3028	GS28	SR210×10	1	53		
	225	150	380	28	36	180	445	130	50	290	78	M24	M24	SN3128	SN3128E	23128EK	H3128	GS28	SR225×10	1	60		
	250	150	420	33	42	205	500	150	50	305	98	M30	M24	SN528	SN528E	22228EXK 23228EK	H3128 H2328	GS28	SR250×15 SR250×10	2 1	60 70		
	300	180	520	35	45	235	610	170	65	365	112	M30	M30	SN628	SN628E	22328EK	H2328	GS28	SR300×10	1	77		
135	225	150	380	28	36	175	445	130	50	290	66	M24	M24	SN3030	SN3030E	23030EK	H3030	GS30	SR225×10	1	56		
	250	150	420	33	42	200	500	150	50	305	90	M30	M24	SN3130	SN3130E	23130EK	H3130	GS30	SR250×10	1	68		
	270	160	450	33	42	220	530	160	60	325	106	M30	M24	SN530	SN530E	22230EK 23230EK	H3130 H2330	GS30	SR270×16.5 SR270×10	2 1	65 76		
	320	190	560	35	45	245	650	180	65	385	118	M30	M30	SN630	SN630E	22330EK	H2330	GS30	SR320×10	1	82		
140	240	150	390	28	36	190	450	130	50	300	70	M24	M24	SN3032	SN3032E	23032EK	H3032	GS32	SR240×10	1	61		
	270	160	450	33	42	215	530	160	60	325	96	M30	M24	SN3132	SN3132E	23132EK	H3132	GS32	SR270×10	1	74		
	290	170	470	33	42	235	550	160	60	345	114	M30	M24	SN532	SN532E	22232EK 23232EK	H3132 H2332	GS32	SR290×17 SR290×10	2 1	71 83		
	340	200	580	42	50	255	680	190	70	405	124	M36	M30	SN632	SN632E	22332EK	H2332	GS32	SR340×10	1	88		
150	260	160	450	33	42	200	530	160	60	320	77	M30	M24	SN3034	SN3034E	23034EK	H3034	GS34	SR260×10	1	66		
	280	170	470	33	42	220	550	160	60	340	98	M30	M24	SN3134	SN3134E	23134EK	H3134	GS34	SR280×10	1	76		
160	280	170	470	33	42	210	550	160	60	340	84	M30	M24	SN3036	SN3036E	23036EK	H3036	GS36	SR280×10	1	70		
	300	180	520	35	45	230	610	170	65	365	106	M30	M30	SN3136	SN3136E	23136EK	H3136	GS36	SR300×10	1	81		
170	290	170	470	33	42	210	550	160	60	345	85	M30	M24	SN3038	SN3038E	23038EK	H3038	GS38	SR290×10	1	72		
	320	190	560	35	45	240	650	180	65	385	114	M30	M30	SN3138	SN3138E	23138EK	H3138	GS38	SR320×10	1	86		

Remarks (1): Plummer block housings are housings with oil seals, a plug and a grease nipple only. To make a complete unit, please order the corresponding bearing, adapter sleeve and locating rings shown in the table additionally.  
 (2): The masses in the table do not include the bearing, adapter sleeve and locating rings but the bolts.  
 (3): H8, H13 and h13 in the table means tolerance classes specified in JIS B 0401.  
 (4): The tolerance of locating ring O.D. is h12, and 0 - -0.2 for the width.

(5): Plummer block housings SN3028, SN3126, SN524, SN620 and larger are provided with eye bolts.  
 (6): When one locating ring is used for fixed-end, the offset (X dimension) of bearing center from the center of the plummer block housing is a half of the locating ring width.  
 (7): The threads for plugs are PT1/4.  
 (8): ZF type oil seals are also available instead of GS type seals.  
 (9): The dimension Y indicates the distance from the bearing center to the outer side face of the nut.